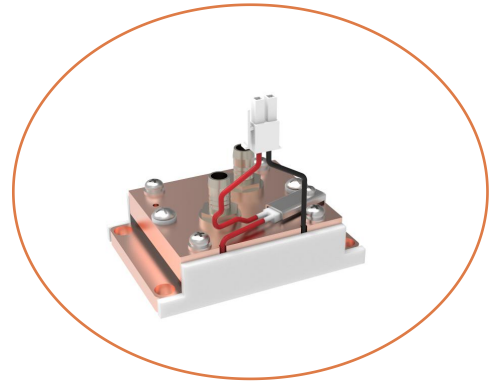
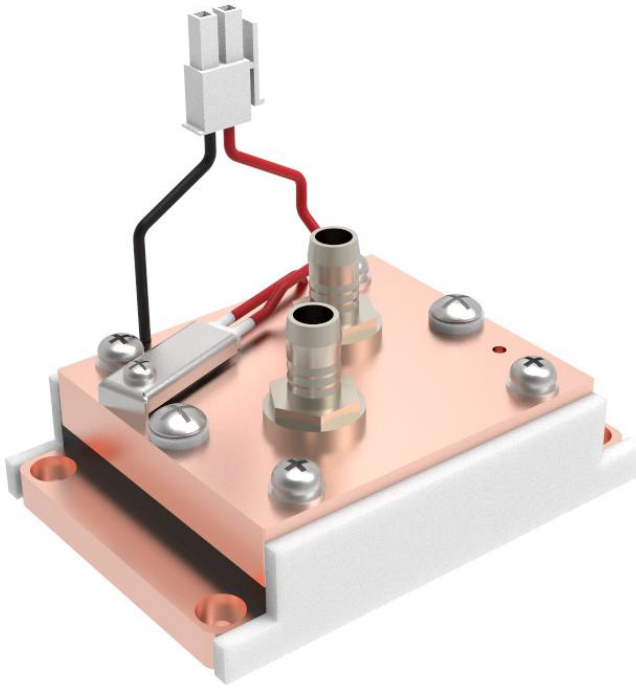


TP22031

Thermoelectric Cooler Assembly



Product Introduction

This product utilizes semiconductor cooling technology and liquid cooling with forced convection heat transfer to achieve cooling by heating the cold plate. The cooled object attached to the cold plate is cooled or heated through thermal conduction. It is widely used in fields such as medical, beauty, and industrial laser equipment.

Main Features



Modular Design



Compact Structure



High Reliability



Effective Isolation Seal



Length Of Life

Shenzhen Huajing Temperature Control Technology Co., LTD



Community, Yutang Street, Guangming District, Shenzhen, Guangdong, CN.

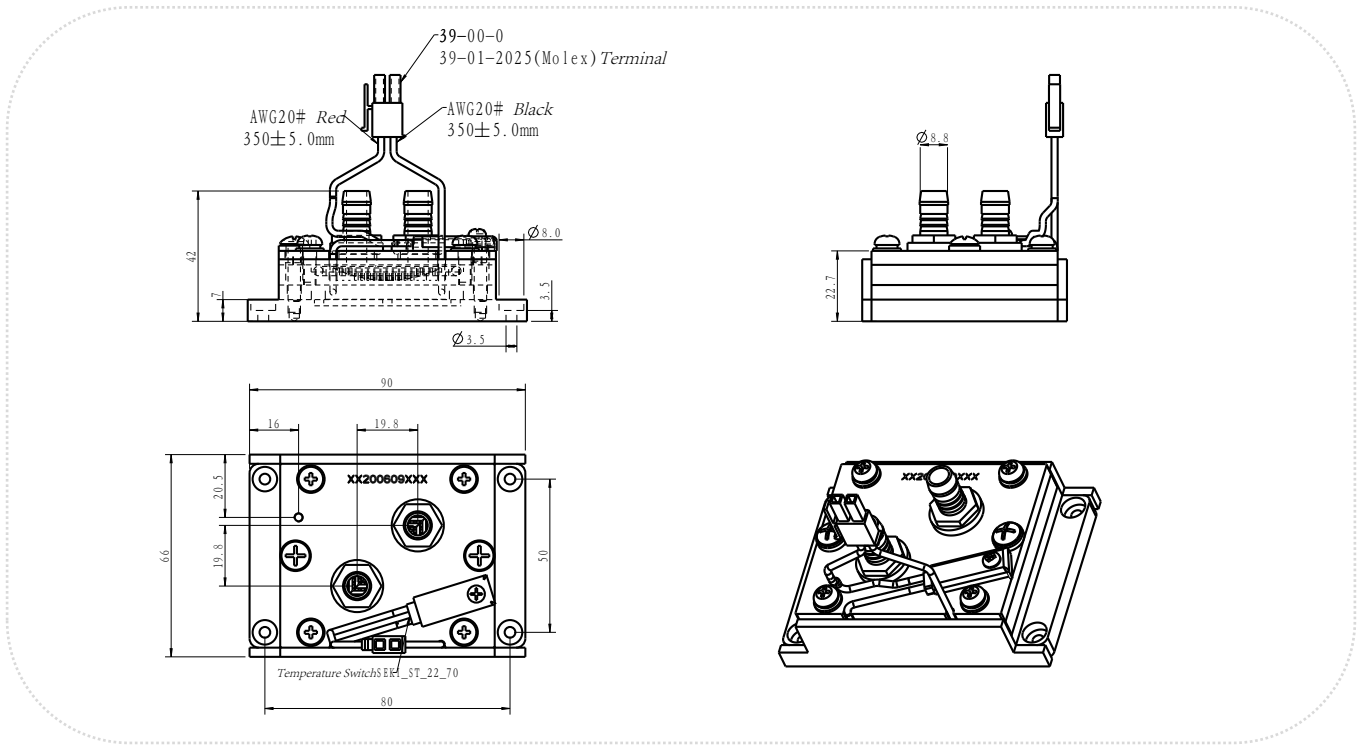


TEL: 0755-23405284






Website: www.huajingtc.com

Outline Dimensions



Product Parameters

Name	Thermolectric Cooler Assembly
Model	TP22031
Operating Voltage (V)	24VDC
Operating Current (A)	4.0A/4.2A
Cooling Capacity (W)	55W ($\Delta T=0$, $T_h=27^\circ\text{C}$)
Water Outlet Size	Pagoda Connector (8mm Inner Diameter Rubber Hose)
Heat Transfer Medium	Deionized Water
Dimensions (mm, L x W x H)	90X66X42
Operating Temperature ($^\circ\text{C}$)	$5^\circ\text{C}\sim 40^\circ\text{C}$
Operating Humidity (%)	15%~80%
Storage Temperature ($^\circ\text{C}$)	$-20^\circ\text{C}\sim 60^\circ\text{C}$
Storage Humidity (%)	15%~80%
Net Weight (Kg)	0.5Kg
Applications Field	 Laser/ Numerical Control  Medical/ Beauty  Testing