

TEJ9-200XEA

Thermoelectric Cooler Assembly



Product Introduction

The product is a thermoelectric cooler assembly that provides cooling capacity through air cooling, liquid circulation cooling, and heat transfer with the equipment to be cooled. Widely used in medical beauty equipment, laser equipment. Compact structure, small volume, high reliability.

Main Features



Modular Design



Compact Structure



High Reliability



Effective Isolation Seal



Length Of Life

Shenzhen Huajing Temperature Control Technology Co., LTD



8/F, Building A1, Qiaode Science Park, No.7 Road, Tianliao Community, Yutang Street, Guangming District, Shenzhen, Guangdong, CN.

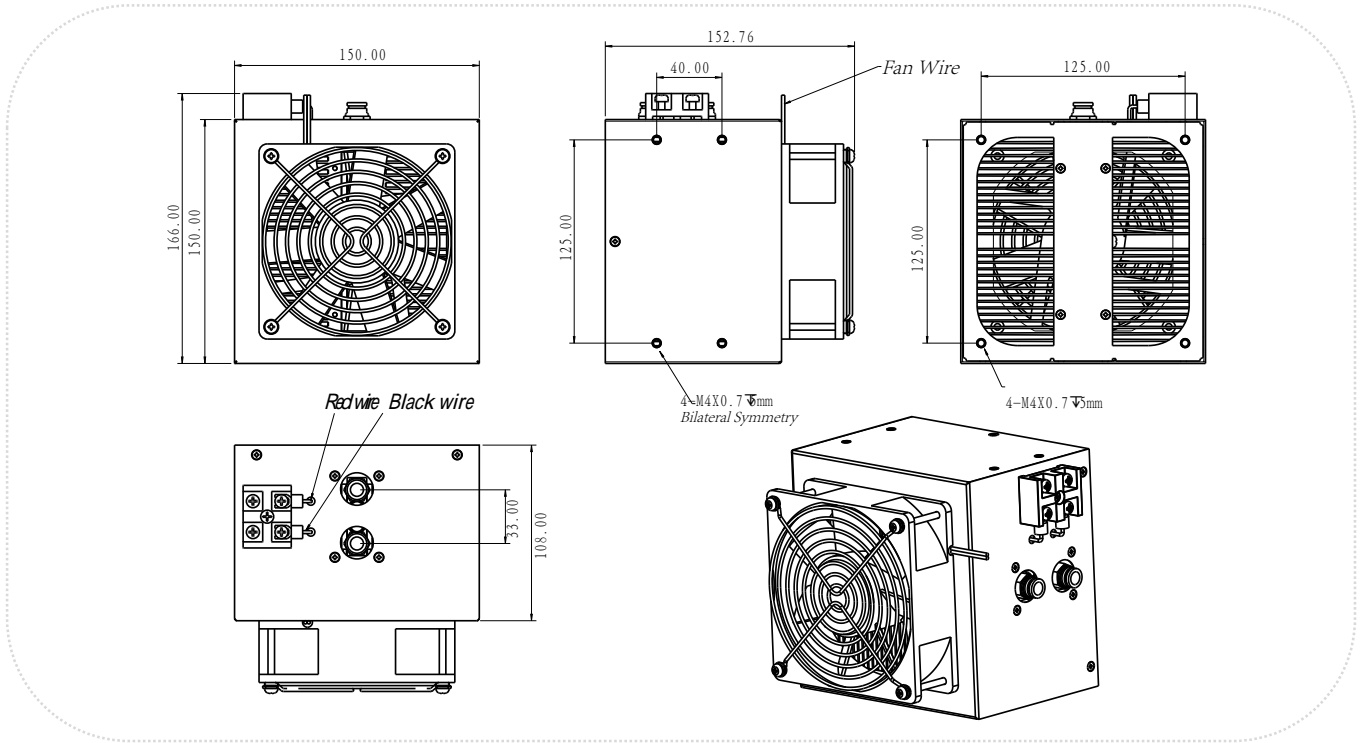


TEL: 0755-23405284






Website: www.huajingtc.com

Outline Dimensions



Product Parameters

Name	200W Water Cooling Module
Model	TEJ9-200XEA
Operating Voltage (V)	24.0
Operating Current (A)	11.5/12.5
Cooling Capacity (W)	200
Fan Rated Speed (rpm/min)	4800rpm/min
Noise Level (dB)	≤65dB
Water Outlet Size	Ø8 Quick Connect Interface (for connecting an external 8mm diameter rigid tube)
Heat Transfer Medium	Deionized Water
Dimensions (mm, L x W x H)	150×153×166
Operating Temperature (°C)	5°C~40°C
Operating Humidity (%)	15%~80%
Storage Temperature (°C)	-20°C~60°C
Storage Humidity (%)	15%~80%
Net Weight (Kg)	2.7Kg
Applications	 Laser/ Numerical Control  Medical/ Beauty  Testing

Shenzhen Huajing Temperature Control Technology Co., LTD



8/F, Building A1, Qiaode Science Park, No.7 Road, Tianliao
Community, Yutang Street, Guangming
District, Shenzhen, Guangdong, CN.



TEL: 0755-23405284



Website: www.huajingtc.com