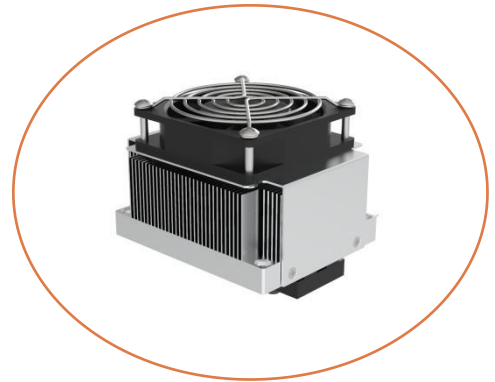
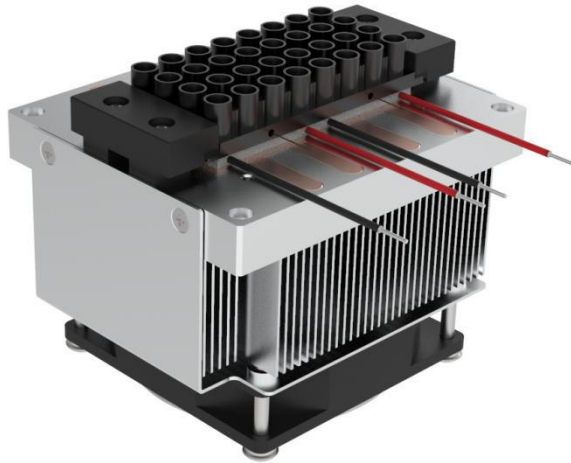


TP22094

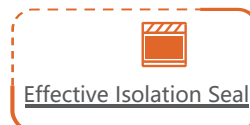
Thermoelectric Cooler Assembly



Product Introduction

This product is a thermoelectric cooler assembly that provides cooling capability by direct contact with the cooled equipment at its cold end. The heat is removed from the hot end through forced air cooling, meeting rapid temperature rise and fall requirements. It is widely used in medical devices. The structure is designed to be compact, with a small size and high reliability.

Main Features



Shenzhen Huajing Temperature Control Technology Co., LTD



8/F, Building A1, Qiaode Science Park, No.7 Road, Tianliao Community, Yutang Street, Guangming District, Shenzhen, Guangdong, CN.

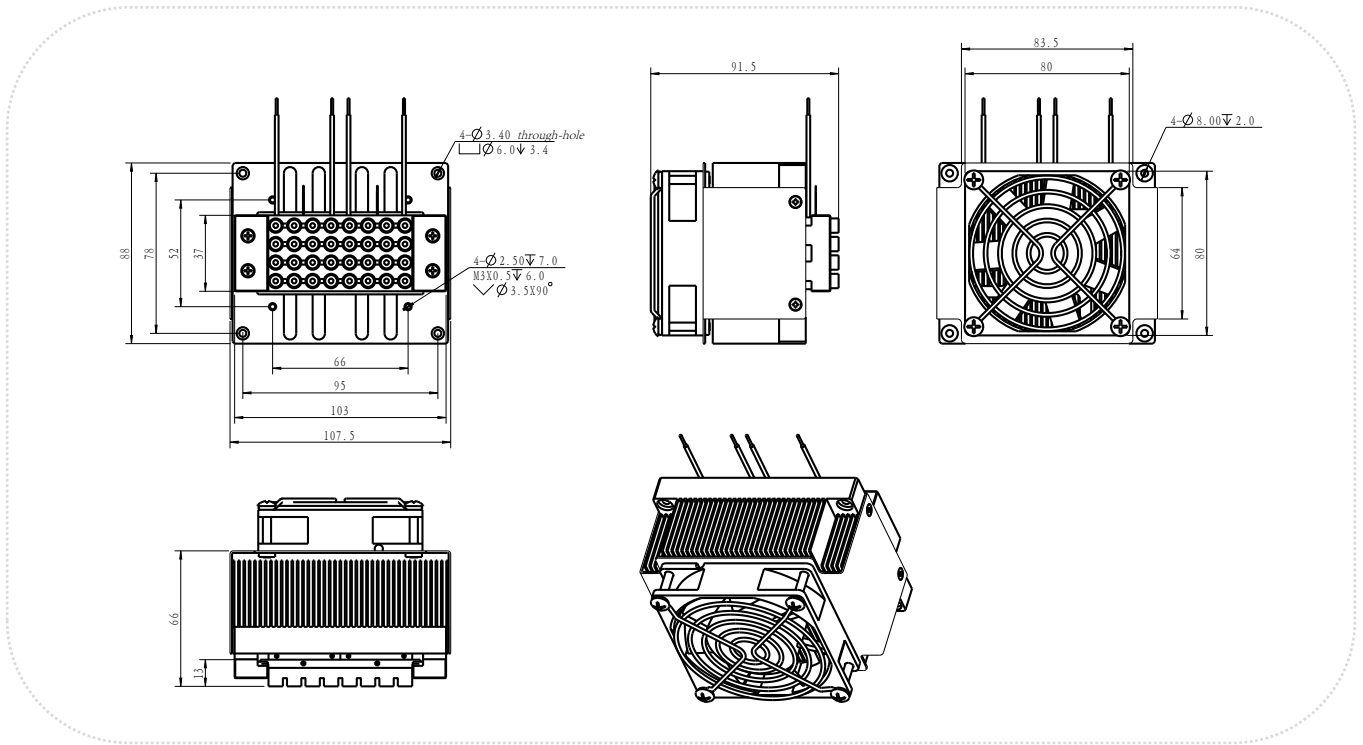


TEL: 0755-23405284



Website: www.huajingtc.com

Outline Dimensions



Product Parameters

Name	Thermoelectric Cooler Assembly
D f [\c	TP22094
F g \i Xke^ \Mf dX^ \ (V)	12VDC
F g \i Xke^ : I ii \ek (A)	14.5A/18.0A
Temperature Rise/Fall Rate (°C/S)	≥4°C/S
Fan Rated Speed (rpm/min)	4000rpm/min
Noise Level (dB)	≤48dB
; `d \ej `fej (mm, L x W x H)	107.5X88X91.5
Operating Temperature (°C)	5°C~40°C
Operating Humidity (%)	15%~80%
Storage Temperature (%)	-20°C~60°C
Storage Humidity (%)	15%~80%
Net Weight (Kg)	1.0Kg
Applications	Laser/ Numerical control Medical/ Beauty Testing