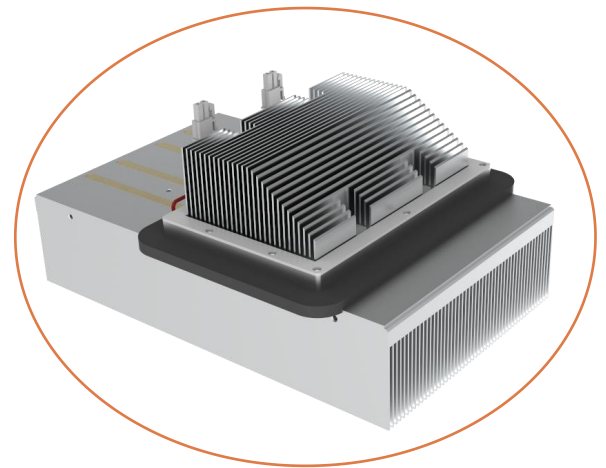
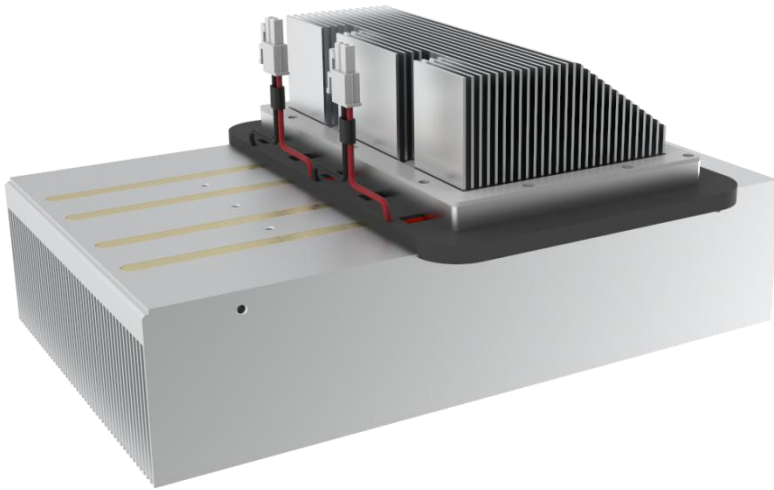


TP21004

Thermoelectric Cooler Assembly



Product Introduction

This product is a thermoelectric cooler assembly that cools the cooled object by forced air convection, providing refrigeration and heat dissipation. The heat is removed from the hot side through forced air cooling. It is widely used in medical equipment and laser devices. It features a compact design, small size, and high reliability.

Main Features



Shenzhen Huajing Temperature Control Technology Co., LTD



8/F, Building A1, Qiaode Science Park, No.7 Road, Tianliao
Community, Yutang Street, Guangming
District, Shenzhen, Guangdong, CN.

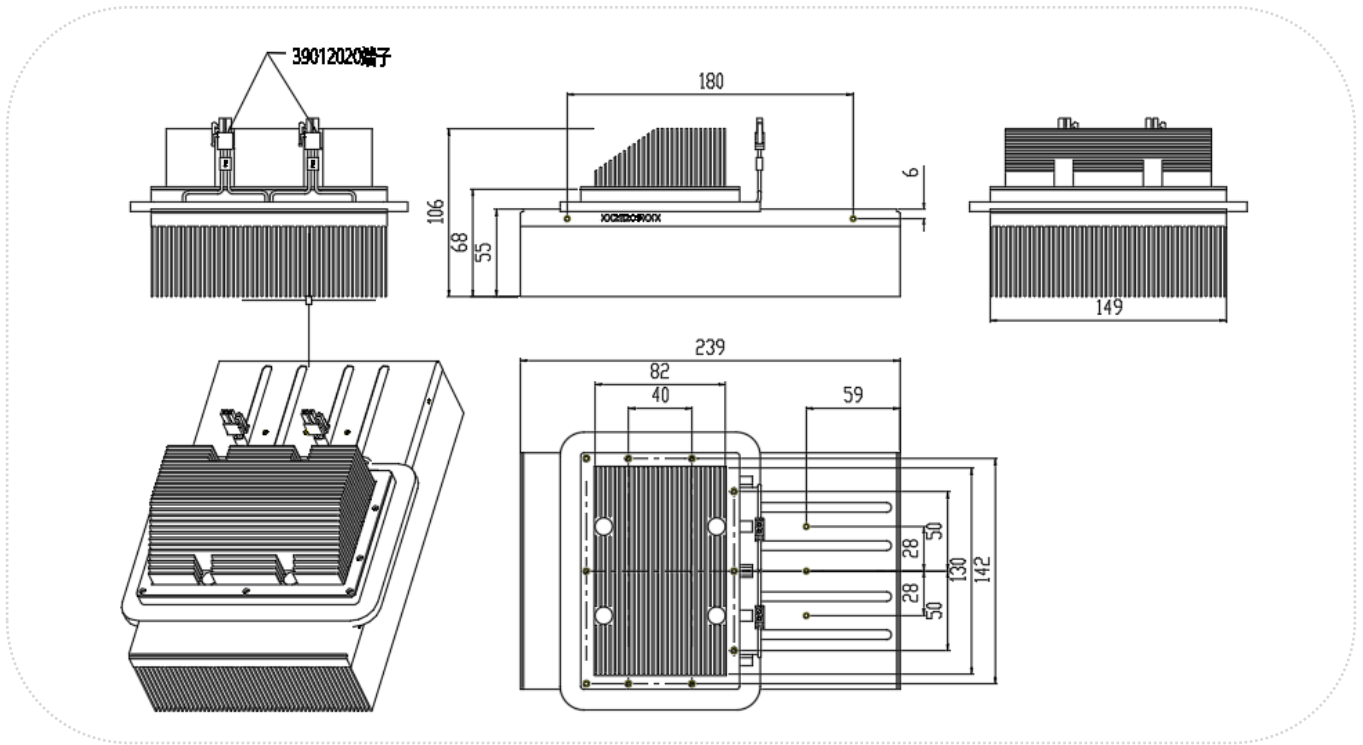


TEL: 0755-23405284






Website: www.huajingtc.com

Outline Dimensions



Product Parameters

Name	Thermoelectric Cooler Assembly
Model	TP21004
Operating Voltage (V)	24VDC
Operating Current (A)	7.4A/6.7A
Cooling Capacity (W)	115W ($\Delta T=0$, $T_h=50^\circ\text{C}$)
Dimensions (mm, L x W x H)	239X142X106mm
Operating Temperature ($^\circ\text{C}$)	$5^\circ\text{C}\sim 40^\circ\text{C}$
Operating Humidity (%)	15%~80%
Storage Temperature (%)	$-20^\circ\text{C}\sim 60^\circ\text{C}$
Storage Humidity (%)	15%~80%
Net Weight (Kg)	3.5Kg
Applications	 Laser/ Numerical control  Medical/ Beauty  Testing