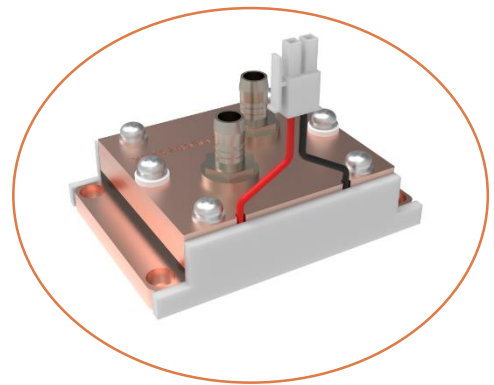
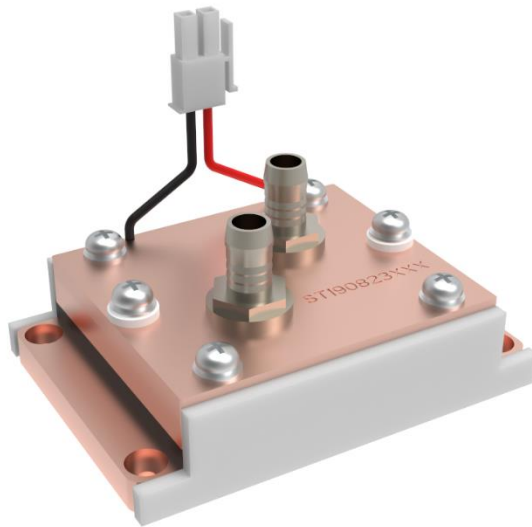


TE05-40XXEL

Thermoelectric Cooler Assembly



Product Introduction

The TE05-40XXEL uses semiconductor cooling technology and liquid-cooled forced convection heat transfer method to heat and cool the cold plate, and through heat conduction, the cooled objects such as those attached to the side of the cold plate can achieve the effect of increasing and decreasing of temperature. Widely used in medical, beauty and industrial laser equipment and other fields.

Main Feature



Modular Design



Compact Structure



High Reliability



Effective Isolation Seal



Length Of Life

Shenzhen Huajing Temperature Control Technology Co., LTD



8/F, Building A1, Qiaode Science Park, No.7 Road, Tianliao Community, Yutang Street, Guangming District, Shenzhen, Guangdong, CN.

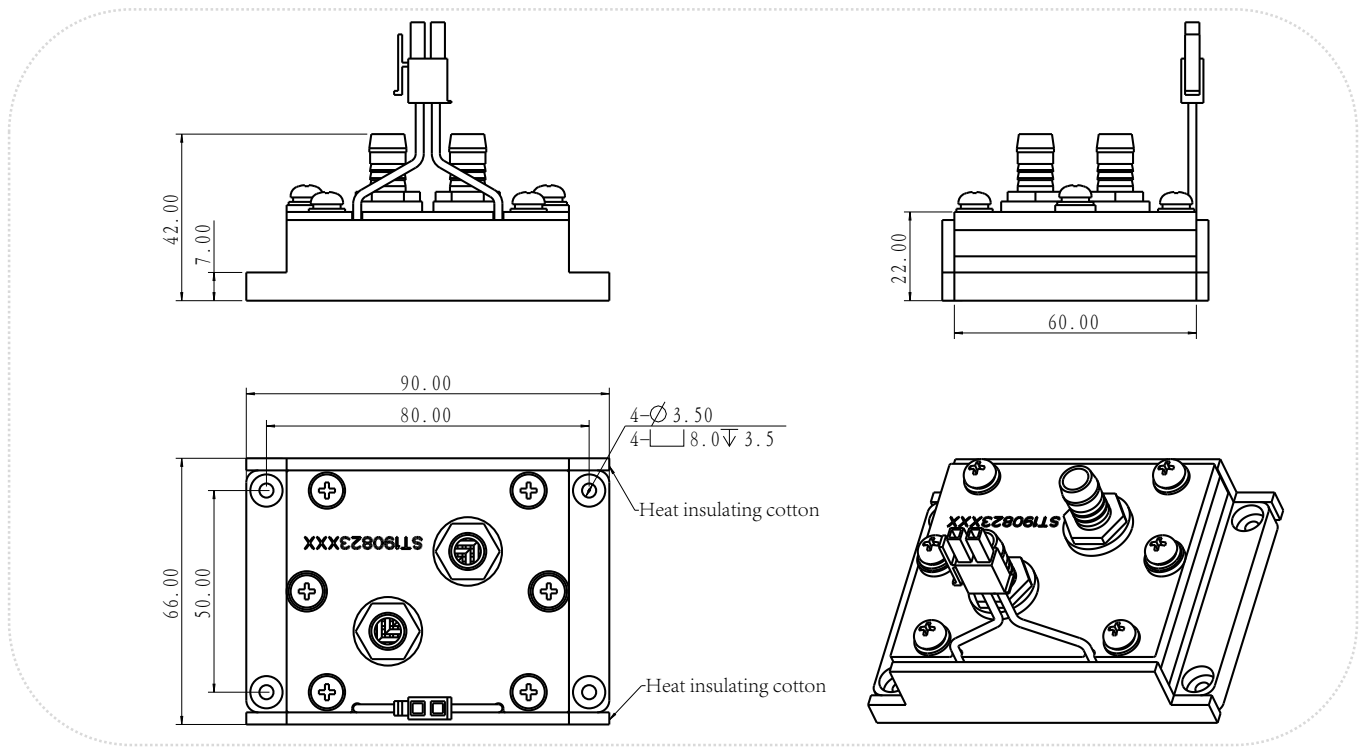


TEL: 0755-23405284






Website: www.huajingtc.com

Outline Dimensions



Product Parameters

Name	Thermolectric Cooler Assembly
Model	TE05-40XXEL
Operating Voltage (V)	12VDC
Operating Current (A)	4.5A/5.6A
Cooling Capacity (W)	45W ($\Delta T=0$, $T_h=27^\circ\text{C}$)
Water Outlet Size	Pagoda Connector (8mm Inner Diameter Rubber Hose)
Heat Transfer Medium	; \ ' f e ' q \ [' N Xk \ i
Dimensions (mm, L x W x H)	90X66X42mm
Operating Temperature ($^\circ\text{C}$)	$5^\circ\text{C} \sim 40^\circ\text{C}$
Operating Humidity (%)	15%~80%
Storage Temperature ($^\circ\text{C}$)	$-20^\circ\text{C} \sim 60^\circ\text{C}$
Storage Humidity (%)	15%~80%
Net Weight (Kg)	0.5Kg
Applications Field	 Laser/ Numerical Control  Medical/ Beauty  Testing

Shenzhen Huajing Temperature Control Technology Co., LTD



8/F, Building A1, Qiaode Science Park, No.7 Road, Tianliao
Community, Yutang Street, Guangming
District, Shenzhen, Guangdong, CN.



TEL: 0755-23405284



Website: www.huajingtc.com