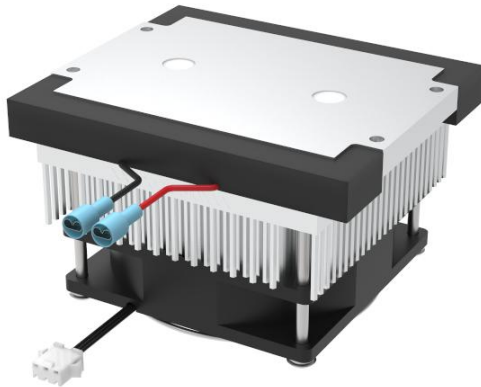


# TEG7-050XEA

## Thermoelectric Cooler Assembly



### Product Introduction

This product utilizes semiconductor cooling technology and air-cooled forced convection heat transfer to provide cooling for the cold plate. It achieves temperature control by conducting heat from the cooled objects attached to the cold plate. It finds extensive applications in fields such as medical, beauty, and industrial laser equipment.

### Main Features



Modular Design



Compact Structure



High Reliability



Effective Isolation Seal



Length Of Life

### Shenzhen Huajing Temperature Control Technology Co., LTD



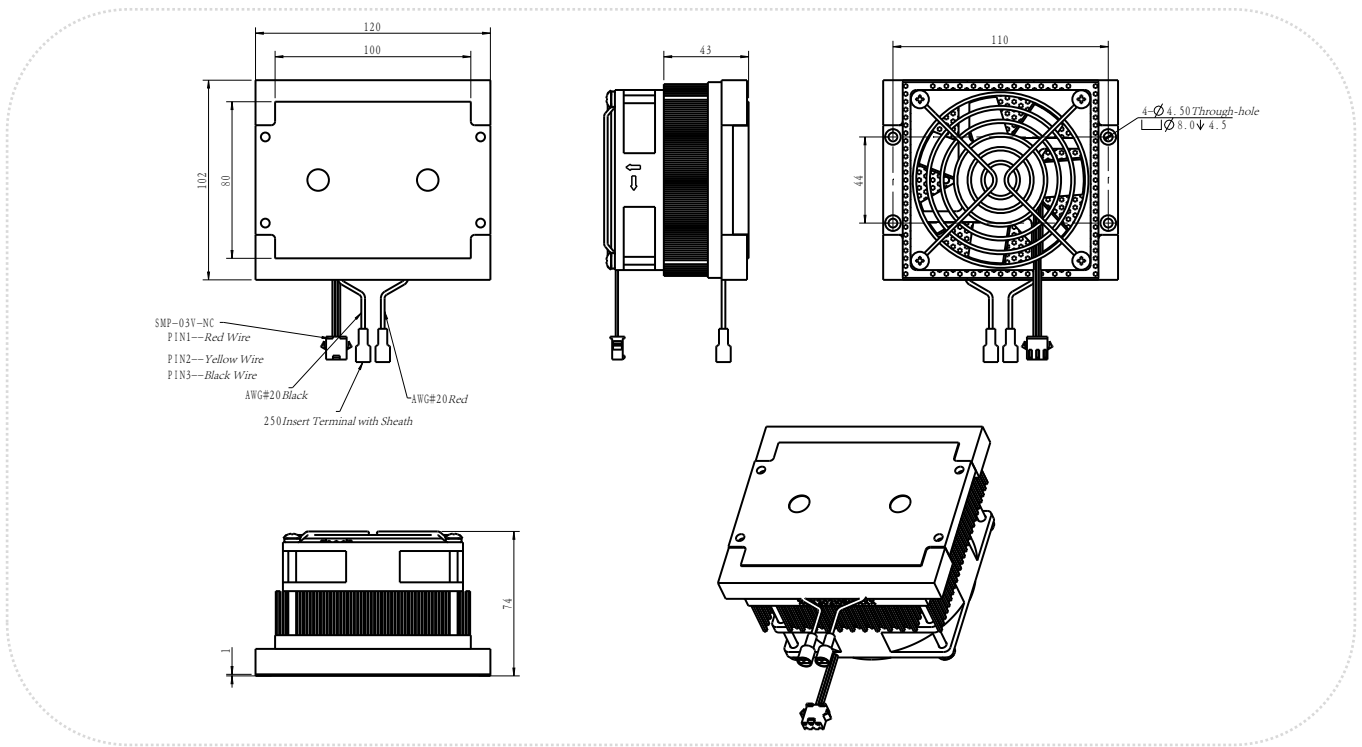
8/F, Building A1, Qiaode Science Park, No.7 Road, Tianliao Community, Yutang Street, Guangming District, Shenzhen, Guangdong, CN.






TEL: 0755-23405284



Website: [www.huajingtc.com](http://www.huajingtc.com)



## Product Parameters

Name	Thermoelectric Cooler Assembly
Model	TEG7-050XEA
Operating Voltage (V)	12VDC
Operating Current (A)	4.5A/5.0A
Cooling Capacity (W)	55W ( $\Delta T=0$ , $T_h=50^\circ\text{C}$ )
Fan Rated Speed (rpm/min)	3200rpm/min
Noise Level (dB)	$\leq 47\text{dB}$
Dimensions (mm, L x W x H)	120X102X74mm
Operating Temperature ( $^\circ\text{C}$ )	$5^\circ\text{C} \sim 40^\circ\text{C}$
Operating Humidity (%)	15%~80%
Storage Temperature ( $^\circ\text{C}$ )	$-20^\circ\text{C} \sim 60^\circ\text{C}$
Storage Humidity (%)	15%~80%
Net Weight (Kg)	0.7Kg
Applications	 Laser/ Numerical control  Medical/ Beauty  Testing